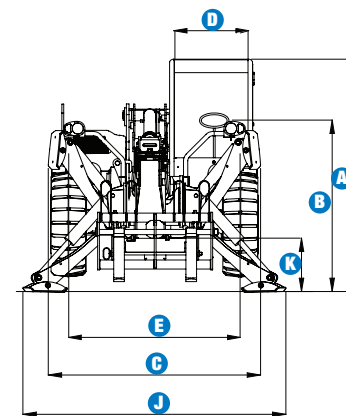
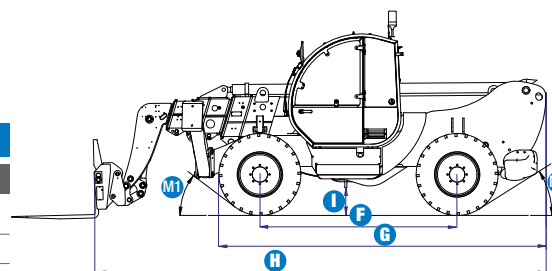


Specifications

| MODEL | | GTH™-4514 EX | |
|--|----------|--------------|--|
| MEASUREMENTS | Metric | Imperial | |
| Lifting height maximum | 13.71 m | 45 ft | |
| Lifting height maximum without stabilisers | 13.56 m | 44 ft 50 in | |
| Lifting capacity maximum | 4,500 kg | 9,920 lbs | |
| Lift capacity at maximum height | 3,500 kg | 7,715 lbs | |
| Lift capacity at maximum reach | 1,250 kg | 2,755 lbs | |
| Forward reach maximum | 9.61 m | 31 ft 6 in | |
| Reach at maximum height | 56 cm | 1 ft 10 in | |
| A Height | 2.56 m | 8 ft 5 in | |
| B Height at steering wheel | 1.60 m | 5 ft 3 in | |
| C Width | 2.45 m | 8 ft | |
| D Inside cab width | 78 cm | 2 ft 7 in | |
| E Track | 1.98 m | 6 ft 6 in | |
| F Wheelbase | 2.85 m | 9 ft 4 in | |
| G Length at front wheels | 4.65 m | 15 ft 3 in | |
| H Length at fork-holder plate | 6.10 m | 20 ft | |
| I Ground clearance | 37 cm | 1 ft 2 in | |
| J Overall width, stabilisers extended | 2.95 m | 9 ft 8 in | |
| M1 Obstruction angle | 33° | 33° | |
| M2 Departure angle | 29° | 29° | |



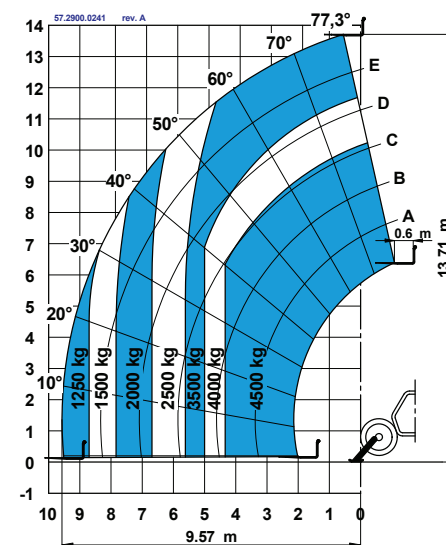
| PRODUCTIVITY | |
|-------------------------------------|---|
| Inside/outside turning radius | 2.15 m/4.50 m 7 ft/14 ft 9 in |
| Break out force | 7,900 kg 17,415 lbs |
| (with 800L shovel SAE J 732/80) | |
| Towing capacity at dynamometer**/** | 8,200 kg/7,250 kg 18,076 lbs/15,984 lbs |
| Drive speed max. | 35 km/h 22 mph |
| Fork-holder plate rotation | 145° 145° |
| Chassis levelling on the front axle | +/- 8° +/- 8° |
| Floating forks | L 1200 mm L 3 ft 11 in Section 120 x 50 mm Section 5 in x 2 in |
| Tyres (DIN 70361) | 405/70-20" PR14 8 holes wheel disc |
| Lifting/lowering speed** | 15 sec./11 sec. 15 sec./11 sec. |
| Extension/retraction speed** | 22 sec./15 sec. 22 sec./15 sec. |

| POWER | |
|-----------------|--|
| Engine | Perkins 1104 D-44T 4-cylinder Turbo Diesel 74 kW (99 hp), Tier 3 |
| Tank capacities | |
| Fuel | 135 L 30 gal |
| Engine oil | 7 L 1.5 gal |
| Hydraulic oil | 150 L 48 gal |

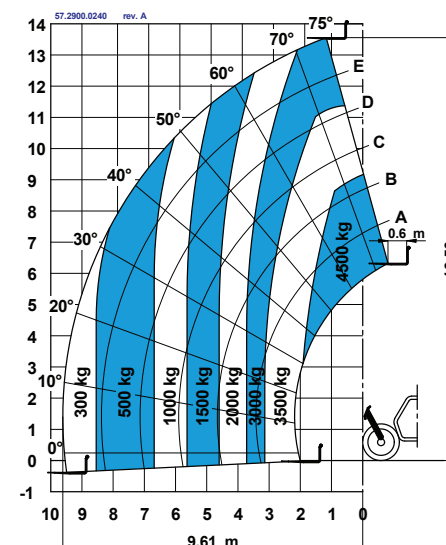
| WEIGHT | |
|-----------|---------------------------|
| Weight*** | 10,600 kg 23,367 lbs |

| STANDARDS COMPLIANCE |
|---|
| EU Machinery Directive 98/37/CE |
| Operating cab conforms to ISO3471 (ROPS) and ISO3449 (FOPS) |
| Low emission engine conforms to EU Directive 97/68/EC stage III |

*Loaded, **Unladen
*** Weight will vary depending on options and/or country standards



Lift capacity chart (with stabilisers)



Lift capacity chart (without stabilisers)

Features

STANDARDS FEATURES

MEASUREMENTS

- 4,500 kg (9,920 lb) maximum lift capacity
- 13.71 m (45 ft) maximum lift height
- 9.61 m (31 ft 6 in) maximum forward reach

PRODUCTIVITY

- 4 x 4
- 4 - wheel steer
- 3 steering modes:
 - front wheel steer
 - crab steer
 - coordinated steer
- Hydraulic line on boom
- Power assisted steering
- Front stabilisers
- Hydrostatic transmission with variable displacement pump and motor electronically controlled
- Two-speed mechanical gearbox
- Multifunction electro-proportional 4 x 1 joystick
- Limited slip differential on front axle
- Chassis levelling on front axle +/- 8°
- Floating forks
- Attachment holder plate with hydraulic quick coupling
- Two-section door (glass upper/steel lower)
- Angle and length indicators on boom correspond to load charts
- Adjustable suspended seat
- Large diameter steering wheel
- Front & rear windscreen wipers
- Sunshield
- Roof protection grid
- Two side rear view mirrors
- Front & rear lights
- Side mounted engine for easy access to components
- Oil immersed multi-disc brake on both axles
- Lockable fuel tank
- Longitudinal stability control system :
 - Load moment indicator with LEDs
 - Audible alarm
 - Automatic lock-out of boom extension and lowering
 - Automatic lock-out of stabilisers
 - Automatic lock-out of rear axle
- Maintenance collar
- Hydraulic inching
- Road/Jobsite switch

POWER

- Perkins Turbo Diesel 74 kW (99 hp)

TYRES

- 405/70-20" PR14. 8 holes wheel disc (DIN 70361)

OPTIONS & ACCESSORIES

PRODUCTIVITY

- Air conditioning
- Second hydraulic line on boom + electric line on boom
- Concrete mixing bucket pre-arrangement
- Hydraulic Jib / Winch pre-arrangement on boom
- Man-platform / Emergency hydraulic pump pre-arrangement
- Emergency pump kit
- Special air filter
- Windshield protection grid
- Adjustable spotlight on boom including cable reel and cable bracket
- Adjustable spotlight on cab
- Fish eye rear view mirror in the back
- Wiper on cab roof
- Water muffler
- Radio remote control
- Spare wheel 405/70-24"PR14 (instead of standard tyres)
- Rear wheels alignment sensor
- Biodegradable naturelle HF-E Shell oil
- 6-ton towing hitch

ATTACHMENT OPTIONS

- Spare wheel 405/70-20" PR14
- Spare wheel 405/70-24" PR14
- Loading shovel 800 L
- Concrete bucket 500/800 L manual/hydraulic discharge
- Concrete mixing bucket 500 L with remote control
- Brick-holder basket
- 10-ton hydraulic jack and 24 mm wheel nut wrench
- FEM 3 plate and forks kit
- Fork side-shift (+/- 100 mm)
- Fixed hook on plate
- 2 m jib, 2,000 kg capacity
- 4 m jib, 900 kg capacity
- 4 m jib with 900 kg capacity hydraulic winch
- Hydraulic winch 3000 kg
- Fixed man-platform
- Rotating and extensible man-platform

Distributed By:

UK

Millennium House
Brunel Drive
Newark NG24 2DE
UK
Tel: +44 (0)1476 584333
Fax: +44 (0)1476 584334

France

10, ZA de la Croix St. Mathieu
28320 Gallardon
France
Tel: +33 (0)2 37 26 09 99
Fax: +33 (0)2 37 26 09 98

Germany

Finienweg 3
28832 Achim/Bremen
Germany
Tel: +49 (0)4202 8852-0
Fax: +49 (0)4202 8852-25

Spain

Gaià 31, Pol. Ind. Plá d'en Coll
08110 Montcada i Reixac
Barcelona
Spain
Tel: +34 93 572 50 90
Fax: +34 93 572 50 91

Scandinavia

Importgatan 17
422 46 Hisings Backa
Sweden
Tel: +46 31 57 51 00
Fax: +46 31 57 90 20

Middle East

Terex Middle East
PO Box 282325, Dubai
U.A.E.
Tel: +971 4 339 1800
Fax: +971 4 339 1802
Email: awp.infome@terex.com

Genie United States

18340 NE 76th Street
P.O. Box 97030
Redmond, WA
USA 98073-9730
Tel: +1 425 881-1800
Fax: +1 425 883-3475

Email: AWP-InfoEurope@terex.com