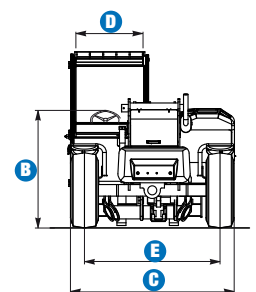
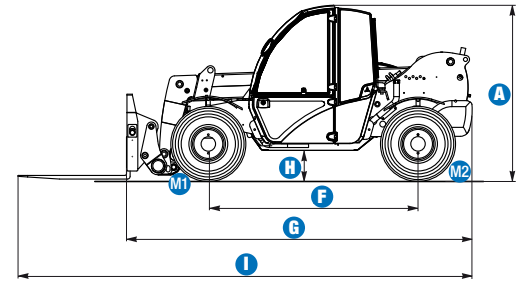


Specifications

MODEL		GTH™-2506	
MEASUREMENTS	Metric	Imperial	
Lifting height maximum	5.79 m	19 ft	
Lifting capacity maximum	2,500 kg	5,511 lbs	
Lift capacity at maximum height	2,000 kg	4,409 lbs	
Lift capacity at maximum reach	900 kg	1,984 lbs	
Forward reach maximum	3.35 m	11 ft	
Reach at maximum height	60 cm	2 ft	
A Height	1.92 m	6 ft 4 in	
B Height at steering wheel	1.25 m	4 ft 1 in	
C Width	1.81 m	5 ft 11 in	
D Inside cab width	75 cm	2 ft 6 in	
E Track	1.5 m	4 ft 11 in	
F Wheelbase	2.32 m	7 ft 7 in	
G Length at fork-holder plate	3.84 m	12 ft 7 in	
H Ground clearance	33 cm	1 ft 1 in	
I Overall length	5.04 m	16 ft 6 in	
M1 Obstruction angle	90°	90°	
M2 Departure angle	70°	70°	

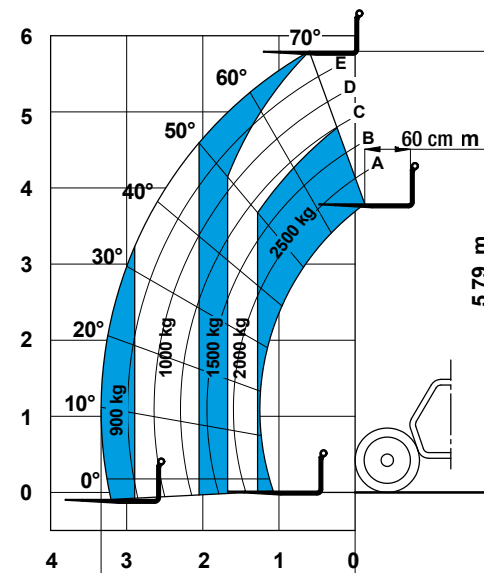


PRODUCTIVITY		
Inside/outside turning radius	1.7 m/3.35 m	5 ft 7 in/11 ft
Break-out force (with 500 L shovel SAE J 732/80)	4,185 kg	9,225 lbs
Towing capacity at dynamometer	4,230 kg	9,325 lbs
Travel speed maximum	24 km/h	15 mph
Fork-holder plate rotation	130°	130°
Floating forks	L 1,200 mm Section 100 x 40 mm	L 3 ft 11 in Section 4.5 in x 2 in
Tyres (DIN 70361)	12-16.5" PR10 8 - holes wheel disc	
Lifting/lowering speed	7 sec/4 sec	7 sec/4 sec
Extension/retraction speed	7 sec/4 sec	7 sec/4 sec

POWER		
Engine	Deutz D 2011 L04 4-cylinder Diesel 68 hp (50 kW), Tier 3	
Tank capacities		
Fuel	60 L	13 gal
Engine oil	10 L	2.2 gal
Hydraulic oil	65 L	14 gal
Hydraulic output/pressure	70.2 L/min - 270 bars	15.4 gal/min - 3,771 psi

WEIGHT		
Weight*	4,450 kg	9,810 lbs

STANDARDS COMPLIANCE
Operating cab conforms to ISO3471 (ROPS) and ISO3449 (FOPS) Low emission engine conforms to UE 97/68 directives GOST R 50950-96



Lift capacity chart
With floating forks
(L 1200 mm-section 100x40 mm)

EN1459, Annex B

* Weight will vary depending on options and/or country standards

Features

STANDARD FEATURES

MEASUREMENTS

- 2,500 kg (5,511 lb) maximum lift capacity
- 5.79 m (19 ft) maximum lift height
- 3.35 m (11 ft) maximum forward reach

PRODUCTIVITY

- 4 x 4
- 4 - wheel steer
- 3 steering modes:
 - front wheel steer
 - crab steer
 - coordinated steer
- Power assisted steering
- Hydrostatic transmission with variable displacement pump and motor electronically controlled
- Electro-proportional 4x1 joystick
- Limited slip differential on front axle
- Floating forks
- Attachment holder plate with mechanical coupling
- Door with two sections: steel on bottom, glass on top. Both sections open separately
- Boom length and boom angle indicators correspond to the load charts
- Adjustable suspended seat
- Large diameter steering wheel
- Front & rear windscreen wipers
- Sunshield
- Roof protection grid inside cabin
- Front & rear lights
- Side-mounted engine for easy access to components
- Oil immersed multi-disc brakes on front axle
- Lockable fuel tank
- Longitudinal stability control system with load monitor
- Visible display with coloured LEDs
- Audible alarm
- Automatic lock-out of boom extension and lowering
- Maintenance collar

POWER

- Deutz Diesel 68 hp (50 kW), Tier 3

TYRES

- 12-16.5" PR10. 8 holes wheel disc (DIN 70361)



OPTIONS & ACCESSORIES

PRODUCTIVITY

- Air conditioning
- Second hydraulic line on boom
- Additional armrest
- Windshield protection grid
- Additional rear view mirror
- Adjustable spotlight
- Hydraulic quick coupling for attachments
- Concrete mixing bucket pre-arrangement
- 6-ton towing hitch
- 10-ton hydraulic jack 10 ton and 24 mm wheel nut wrench
- Spare wheel 405/70-24"PR14
- Foam filled tyres

ATTACHMENT OPTIONS

- Loading shovel 500 L
- Light material loading shovel 800 L
- Concrete bucket 500 L, manual/hydraulic discharge
- Concrete mixing bucket 250 L with remote control
- Polishing brush with harvest bucket
- Forks side-shift (+/- 100 mm)
- FEM 2 plate and forks kit
- Fixed hook on plate
- 2 m jib, 1250 kg capacity
- Brick-holder basket
- Drilling accessory 250 mm

UK

Millennium House
Brunel Drive
Newark NG24 2DE
UK
Tel: +44 (0)1476 584333
Fax: +44 (0)1476 584334

France

10, ZA de la Croix St. Mathieu
28320 Gallardon
France
Tel: +33 (0)2 37 26 09 99
Fax: +33 (0)2 37 26 09 98

Germany

Finienweg 3
28832 Achim/Bremen
Germany
Tel: +49 (0)4202 8852-0
Fax: +49 (0)4202 8852-25

Spain

Gaià 31, Pol. Ind. Plá d'en Coll
08110 Montcada i Reixac
Barcelona
Spain
Tel: +34 93 572 50 90
Fax: +34 93 572 50 91

Scandinavia

Importgatan 17
422 46 Hisings Backa
Sweden
Tel: +46 31 57 51 00
Fax: +46 31 57 90 20

Middle East

Terex Middle East
PO Box 282325, Dubai
U.A.E.
Tel: +971 4 339 1800
Fax: +971 4 339 1802
Email: InfoME@terex.com

Genie United States

18340 NE 76th Street
P.O. Box 97030
Redmond, WA
USA 98073-9730
Tel: +1 425 881-1800
Fax: +1 425 883-3475

Email: AWP-InfoEurope@terex.com

Distributed By: